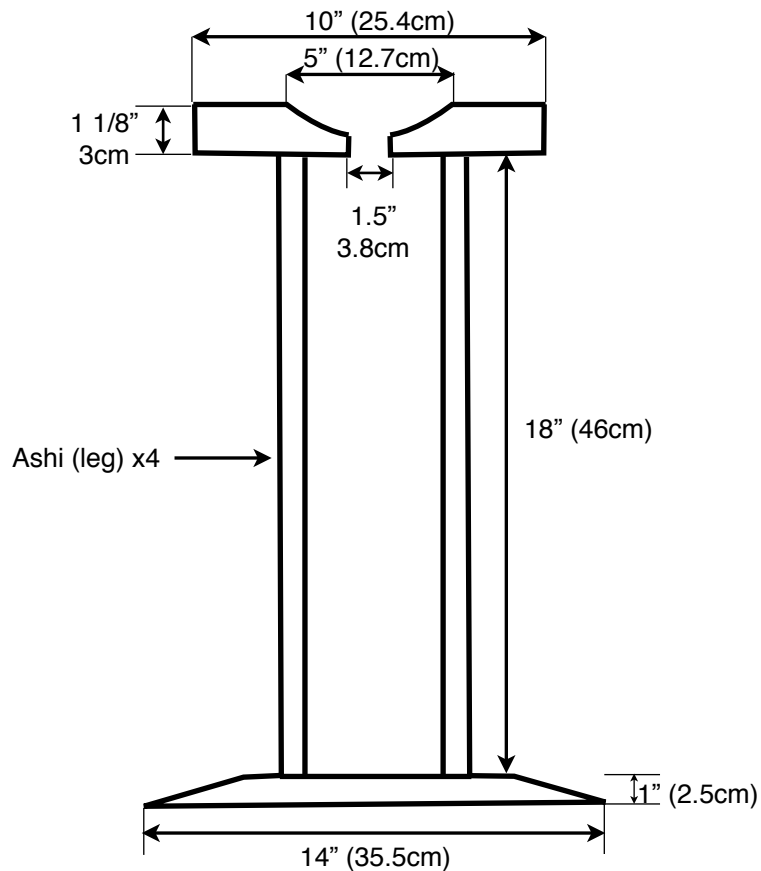
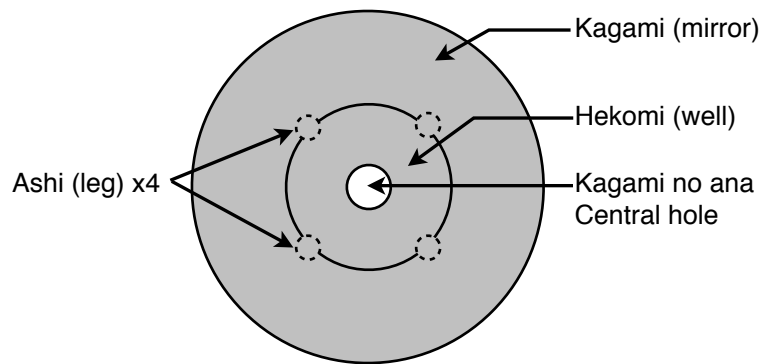


Marudai Measured Drawing - Japanese Specifications

by Michael Hattori



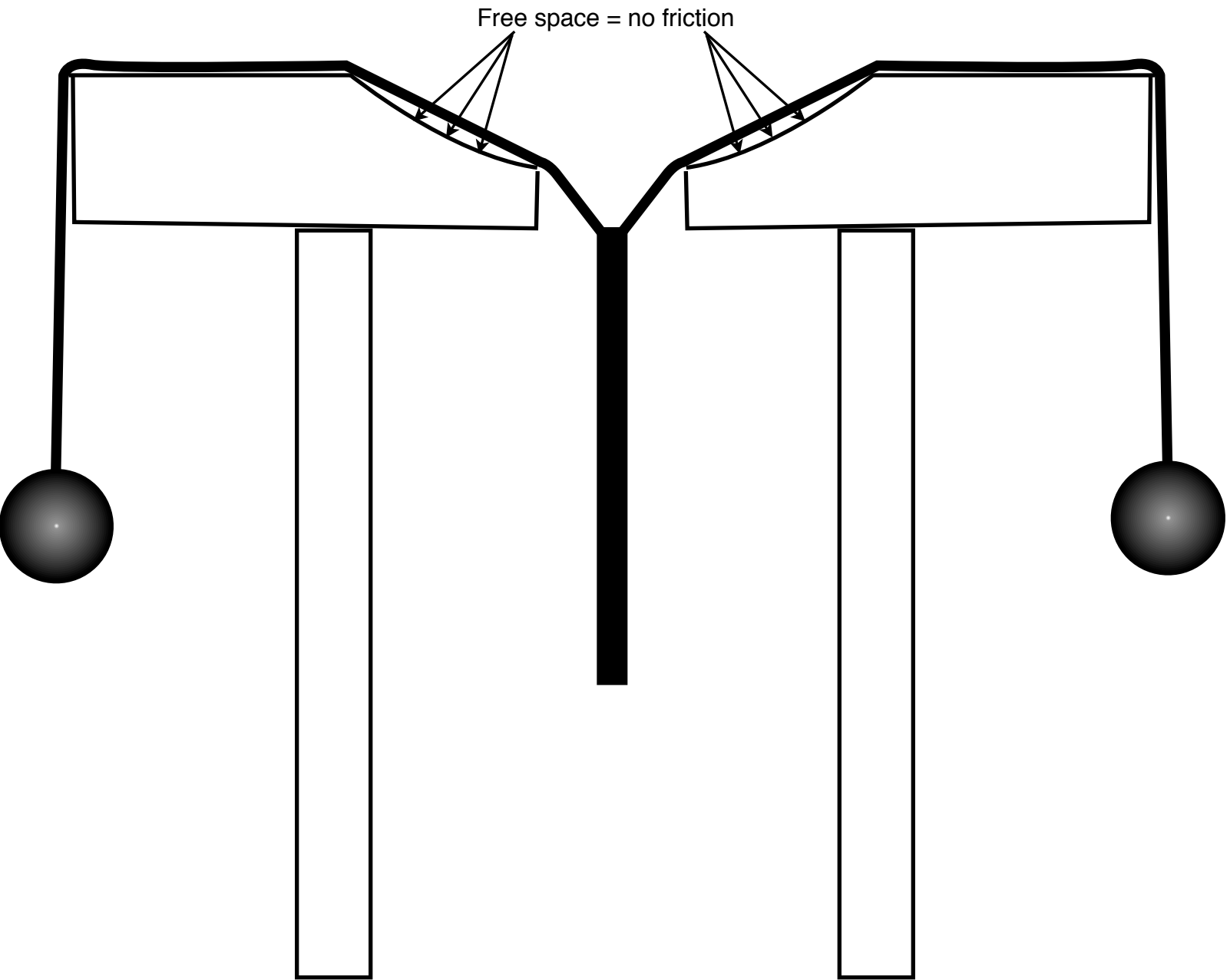
This measured drawing is based on the specifications given by the Dômyô school, but is slightly larger. Their base is quite a bit wider than those made outside of Japan; it can be made narrower, but for stability should not be less than the diameter of the kagami, although a 10" base will work adequately for up to a 12" kagami.

The depth of the well (hekomi) is about 2/3 that of the kagami and should absolutely NOT be left out! This is an essential design feature which creates a free space where the braid can form naturally. Omit it at your peril.

The length of the legs shown here is for kneeling Japanese style. If you wish to sit in a chair, the average leg length is 24" (61cm); however, this can be customized to fit your body. In general, the kagami should come to within an inch or two below your breastbone. Leg spacing is not fixed, but should be in approximate alignment with the edges of the well as can be seen above.

Of course, if you wish to make a larger or smaller kagami, all dimensions should be increased or decreased proportionally, except for leg length.

Marudai Measured Drawing - Japanese Specifications



Here is a graphic representation of the “well” in cross-section to show how it creates an area of free space with no friction. The double downward angle of the thread also helps the braid to form correctly.